

4 OUT OF SERVICE - the anchor pipe must be out of service and destroyed after being used to arrest a fall.

The anchor pipe must be out of service and sent to manufacturer or their representation when any defects will appear during annual or every day use inspection. Out of service must be done by a competent person.

5 TIME OF USAGE - there is no limit of usage time but after first five years of using the pipe anchor must be made a subject to fabric control.

The fabric control can be made by:

- manufacturer
- or person recommended by manufacturer
- or company recommended by manufacturer.

During fabric control will be established time of usage till next fabric control.

6 STORAGE - the pipe anchorage must be stored in a dry, ventilated, room temperature and free of sun places.

7 CLEANING - clean the pipe anchor in a warm water and household soap. Do not use any acid or basic solvents. Dry in natural conditions, far from any fire or heat.

8 REPAIRS - it is strictly forbidden to make any repairs and modifications to the pipe anchor hook by yourself.

9 TRANSPORT - the pipe anchor must be transported in the package (for example: impregnated textile, foil bag or plastic, steel box) avoid moisture mechanical and chemical or others defects.

IDENTITY CARD

AZ 200 01

AZ 200 02

AZ 200 03

SERIAL NUMBER

DATE OF MANUF.

USER NAME

DATE OF PUTTING INTO OPERATION

DATE OF PURCHASE

ANNUAL INSPECTIONS

	DATE	COMMENTS	INITIALS OF COMPETENT PERSON
1			
2			
3			
4			
5			

Instruction Manual

EN 362
CE 0082

Ref.: AZ 200 01
AZ 200 02
AZ 200 03

OTE-PROTEKT PIPE ANCHOR

The pipe anchor is a component of a personal fall arrest equipment. It is used as a connector between structural anchor point and a fall arrest device.

The pipe anchor complies with EN 362.

CONSTRUCTION

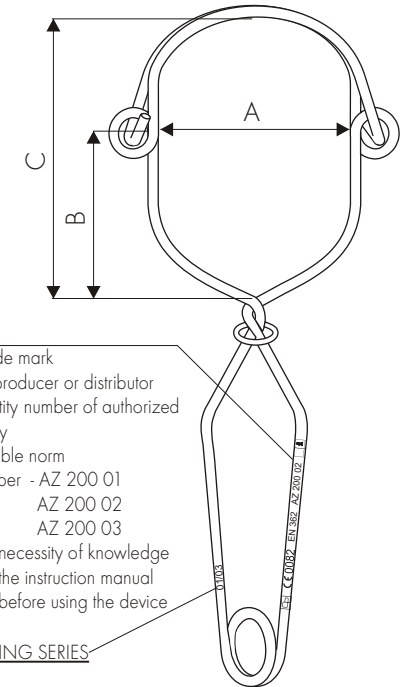
The pipe anchor is made of one piece stainless steel bar of diameter 6mm.

The pipe anchor is manufactured in 3 sizes.


The size depends on inside clearance (A) which determinates a radius of profile on which the pipe anchor can be installed.


The pipe anchor sizes:

dimension	size/reference number		
	small/AZ 200 01	middle/AZ 200 02	large/AZ 200 03
A	81	112	140
B	85	105	125
C	128	175	208



MARKING:

-  - trade mark of producer or distributor
- CE 0082 - identity number of authorized body
- EN 362 - suitable norm
- reference number - AZ 200 01
AZ 200 02
AZ 200 03

 necessity of knowledge the instruction manual before using the device

MANUFACTURING SERIES

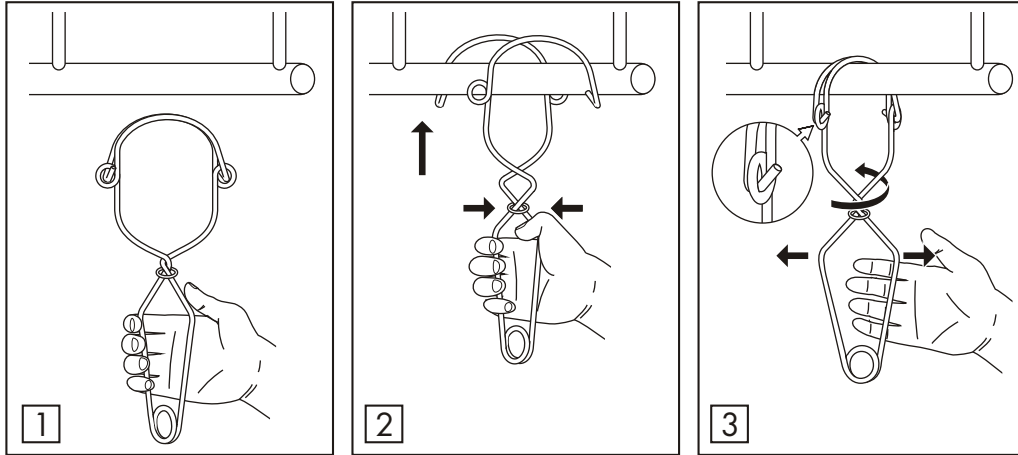
(serial number):

"01/03" - also denotes month and year of manufacturing

OTE-PROTEKT
93-403 LODZ
ul. Starorudzka 9
POLAND
TEL: (48 42) 680 20 83
FAX: (48 42) 680 20 93

EC type examination
done by APAVE LYONNAISE
BP3 69811 Tassin Cedex
France

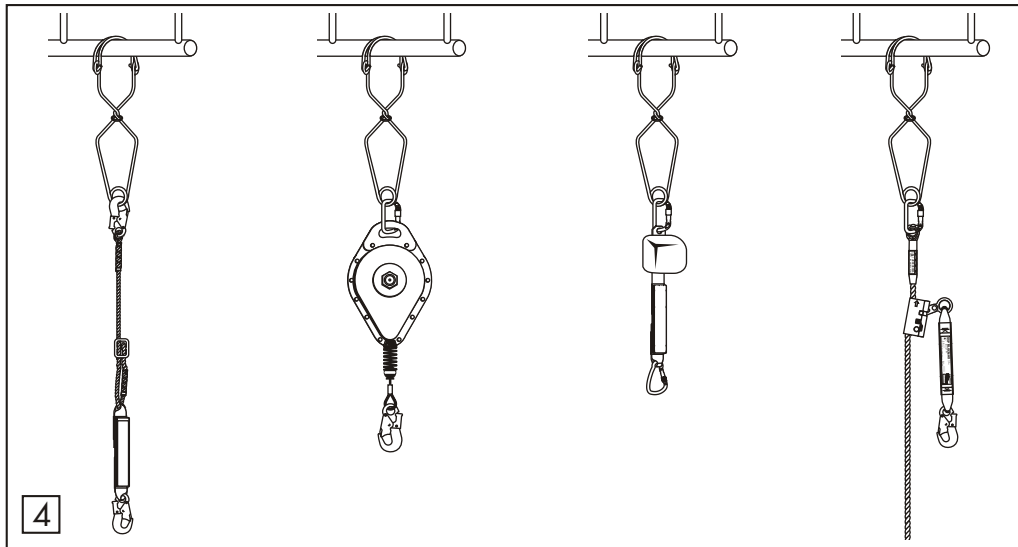
INSTALLATION OF THE PIPE ANCHOR



1 Hold the anchor grip with one hand

2 Squeeze the grip to open anchor arms to needful distance.
Install the anchor on construction element.

3 Release the grip, turning the anchor simultaneously.

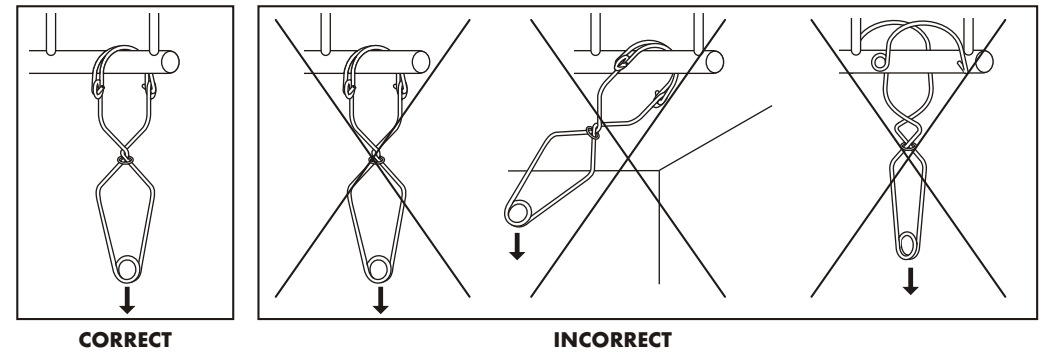


4 Connect a fall arrest device to the pipe anchor ending, e.g. energy absorber with lanyard, fall arrester or working rope of guided type fall arrester.

BASIC RULES OF USING THE PIPE ANCHOR

- the pipe anchor must only be used by a person previously trained for working at heights.
- the pipe anchor should be personal equipment and should be use by one worker.
- before each use, a close visual examination of the pipe anchor must be done in respect of mechanical, chemical and thermal defects. The examination must be done by a person who is going to use the anchor. In the case of any defect or doubt of correct condition of the snap hook do not use the anchor.
- before use the fall arrest system contained the safety trolley, the rescue operation must be introduce to avoid any danger that can happened during use the equipment.

- using the pipe anchor, in connection with fall arrest system, must be compatible with manual instructions of the fall arrest systems and obligatory standards:
 - EN361 - for the safety harness;
 - EN353-1, EN353-2, EN355, EN354, EN360 - for the fall arrest systems;
 - EN341 - for the rescue equipment;
 - EN358 - for the work positioning equipment.
- it is strictly forbidden using the pipe anchor in the explosion zone.
- during using the pipe anchor must be protected from a contact with acids, solvents, basics, open fire, hot metal drops and sharp edges. If you have any doubts about the conditions where the anchor will be used, ask the producer.
- structural anchor point to which will be connected the pipe anchor should be situated above working position and should have static resistance min. 15kN. It is recommended to use marked and certified anchor point complied with EN 795.
- the shape of the structural anchor point should not let self-acting pipe anchor disconnection see the drawings:



CORRECT

INCORRECT

- necessarily make sure that the pipe anchor is properly closed and installed on the construction element.
- the snap hooks with manual locking shall be acceptable only in cases where the user does not have to attach and remove the snap hook many times during a working day.
- the pipe anchor must be out of service and destroyed by a competent person after being used to arrest a fall.
- it is strictly forbidden making any modifications to the pipe anchor yourself.

GENERAL CONDITIONS OF THE PIPE ANCHOR UTILIZATION

- 1 **IDENTITY CARD** - should be filled in by competent person and kept during whole period of the pipe anchor.
- 2 **FIRST USE** - fill in the Identity Card.
- 3 **PERIOD INSPECTIONS** - annual inspection of the pipe anchor must be done by competent person. The pipe anchor must be controlled in respect of mechanical, chemical and thermal defects. The result of inspection must be recorded in Identity Card.